

Description

Body in ABS with galvanized steel base

Nickel plated magnet block

Operating voltage: 24 Vdc - Absorbed current: 70 mA

Fixed Holding force: > 55 Kg.

(on request reduced force to 20 Kg. - LF version)

Residual anti-magnetism pin on the electromagnet body

Connector with anti-disturb varistor

Without push button release

- > Body in black colour ABS
- > Body in grey colour RAL 7035 ABS

With push button release

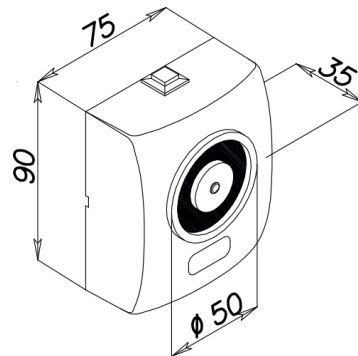
- > Body in black colour ABS
- > Body in grey colour RAL 7035 ABS

Holding force adjustable from 10-50 Kg.- (i.e. 19001R)

Dual voltage version 24/48 Vdc

Compliance: CE EN1155

Use: door holding electromagnet for swing fire doors



SWINGING ARMATURE

- > Base in galvanized steel