

Description

FD5970 is an audio/visual warning panel, available in different models and suited for any emergency situation such as fire, flooding, gas leaks, etc., where visual and audio information is needed. Its special design, very pleasant is particularly suited for hotels, shops, malls and cinemas.

- Power Supply: 18V-30V
- Sound power 92 dB(A) @ 1m
- High Efficiency LED
- High Sound Level Buzzer
- Selectable Buzzer
- New Design, Less Thick
- Wall Mounting
- EN54-23 W-4,6-9,1 e O-4,6-9,1-9,9 (see next page) with synchro and EN 54-3:2001 + A1:2002 + A2:2006 compliant

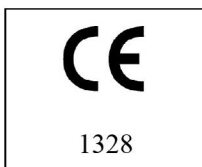


Technology and design

FD5970 has an optical section provided with a synchronization function, and realized with a LED and lens that grants a high efficiency value, thanks to which it satisfies the new standards of the norm EN 54-23 with a high range covering while maintaining low power consumption. A special light diffuser guarantees the uniform lighting of the panel's label. A high sound level buzzer ensures an efficient acoustic warning in case of alarm, granting the compliance to the norm UNI EN54-3. The label inside the panel is provided with the standard sentence "FIRE ALARM", but labels with different messages and languages are available as accessory. Thin and special design make **FD5970** warning panel unique for technology and efficiency.



Thickness without backbox
14mm



General specifications

FD5970 (Wall mount model)	
Material	ABS - V0 self-extinguishing + PMMA
Installation	Wall mount
Nominal Voltage:	24 Vd.c.
Voltage limits	18 Vd.c. - 30 Vd.c.
Absorption	50mA
Mounting height	4,6m
Code (square base)	W-4,6-9,1*
Code (rectangular base)	O-4,6-9,1-9,9*
Type of connection	A morsetti
Dimensions with backbox	292x130x55mm (L x H x P)
Flash light color	Bianco
Operating temperature	Da -10°C a +55°C
Optical specifications	Frequenza lampeggio 1Hz
Sound power (min)	79 dB(A) @ 1m, 18Vd.c. P.O. 165°
Sound power (max)	92,3 dB(A) @ 1m, 30Vd.c. P.V. 45°
Buzzer frequency	2,8Khz
Sound model	Pulsed, 1Hz (500ms on, 500ms off)
Protection Class	IP21C**

*See illustrations on the next page

**Using conduits DX54216, DX43220 or GW52004

Assembly intructions

- Make four holes into the wall to fit the holders (1, fig 2)
- Fix the mounting box with the four screws (2, fig 2)
- Connect the power supply to the terminals (Figure 1)
- If the sounder is not needed, connect jumper SILENT (Figure 2)
- Fix the central part to the mounting box with the four screws (3, fig 2)
- Hook the cover and screw it (4, fig 2)

FIGURE 1

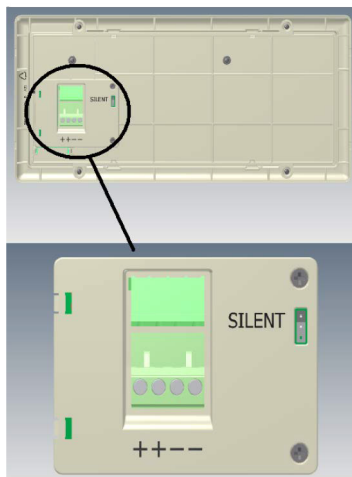
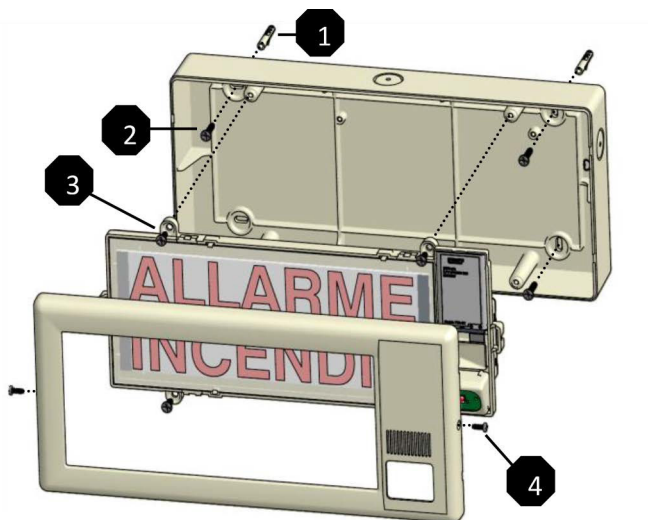


FIGURE 2



Volumes of coverage

