

Description

The **FDCWS100** Conventional Wall Sounder forms the core of our modular alarm device range. The unit can either be used as a standalone conventional device or as an intelligent unit by the addition of a wired module (**FDALWSMOD**) or wireless module (**FDSGWSMOD**).

All devices are weather proof, therefore this combined with the modular approach means the majority of applications can be achieved with very few stock components. The unit is equipped with 3 levels of volume adjustment and 32 recognised tones which can be set via the control equipment or locally at the sounder.



Key features

- Flexible modular design, compatible with Teledata intelligent & wireless modules
- 5 year product warranty
- 3rd party approval to EN54-3 (Type B)
- 32 Tone Settings
- Two stage alarm capability
- Weatherproof as standard
- Easy to install
- High sound output capability
- On site adjustable volume settings
- Microphone self test facility
- Robust with high reliability

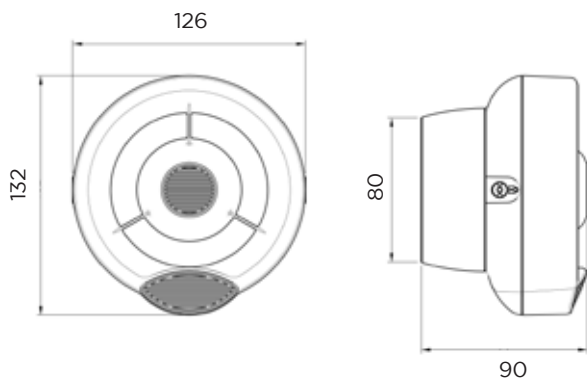
Technical specifications

Power supply voltage range	15Vdc - 40Vdc
Activated current load (High Vol.)	5-8 mA at 24 Vdc
Acoustic Frequency range	400-2900 Hz
Maximum acoustic Output	100 dB(A) @ 1m
Operating temperature range	-25°C to +70°C (no icing)
Unit weight (inc Back box)	290g
Max humidity (non condensing)	95% RH
Ingress Protection	Designed to meet IP

Standards & approvals

BS EN 54-3 (Type B): Fire Alarm Device, Sounders

Technical information



Note: Also available in white.

Functionality is dependant on the control equipment and module selection.

Certified device performance may vary depending on the approval body.

