

## Description

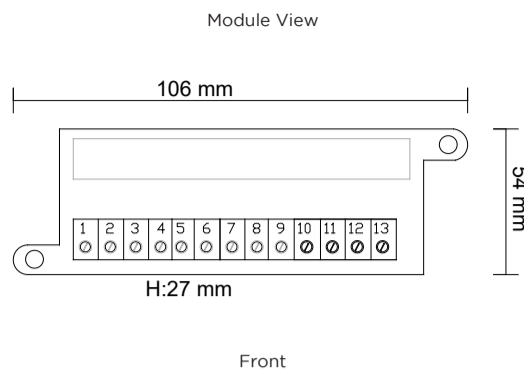
MINIMODULE family are devices with the same hardware with four types of configuration that can be used as, general purpose input / output MINIMODULE. Reduced dimension permits device installation in any environment type. All series modules are provided with short-circuit monitoring isolators, and addresses can be programmed by means of the programmer or with the addressing function of teledata smoke detector.

## Installation

The modules must be used in combination with compatible control panels employing the communication protocol for monitoring and control. The location of modules should follow recognised national or international installation codes of practice. Connections to the terminals are polarity sensitive thus, please, check them by referring to the wiring diagrams and tables for each model. Modules are provided with a 27 Kohm end of line resistor and a 10 Kohm alarm resistor, depending of the configuration.

## Common Technical Specifications

Supply voltage	18 - 27V
Stand by consumption	180 µA
Alarm consumption	6 mA (LED on)
Relay output	1 A**
Operating temperature range	-5°C - +40°C
Humidity	95% RH (no condensation)
Dimensions	106 x 54 x 27 mm
Maximum wire gauge	2.5 mm <sup>2</sup>
Provided with integrated short circuit isolator	



## Setting the Address

Modules can be addressed by using a special hand-held programming unit (ONEPROGRAMMER\_AP).

Addresses may be selected over the range from 1 to 240, although, of course, each device on the loop must have a unique address.

- Connect the programmer to the module using the proper cable (refer to the ONEPROGRAMMER\_AP instruction manual).
- After installing all modules and other loop devices, apply power to the loop in accordance with the panel's installation instructions.

The input / output module holds two addresses. The address assigned by the ONEPROGRAMMER\_AP always relates to the input channel; the output channel is automatically assigned the consecutive address.

## Device's Mounting

According to local electrical regulations, mount securely to a single gang box using the provided screws.

## Caution

Disconnect loop power before installing the modules.

### WARNING

Electrostatic Sensitive Device. Before the maintenance/ inspection of the device, it's necessary to remove the electrostatic charge on a grounded metal surface.  
 Note: for further information see IEC 60747-1.

### WARNING

When switching an inductive load, in order to protect the module from surges caused by counter-EMF, it is important to protect

the internal junctions. A diode with a reverse breakdown voltage of at least ten times the circuit voltage (DC applications only) or a varistor (AC or DC applications) should be connected in parallel to the load.

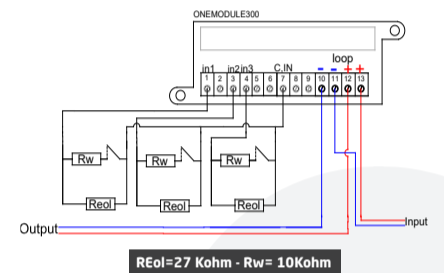
## Maintenance

Test the modules periodically according to local codes of practice. Those devices contain no serviceable part, so, should a fault develop, return them to your system supplier for exchange or disposal, according to warranty conditions.

## ONEMODULE300\_AP

The **ONEMODULE300\_AP** is provided with 3 monitor input

Terminal	Description
1	in1
2	Not used
3	in2
4	in3
5	Not used
6	Not used
7	C,IN
8	Not used
9	Not used
10	LOOP line OUT(-)
11	LOOP line IN(-)
12	LOOP line OUT(+)
13	LOOP line IN(+)



### Teledata

20063 Cernusco sul Naviglio (MI) - Via Brescia 24 G - Italy  
 Tel.: +39 02 27 201 352 - +39 02 25 92 795 | mail: info@teledata-i.com

www.TeledataOne.com

### Teledata

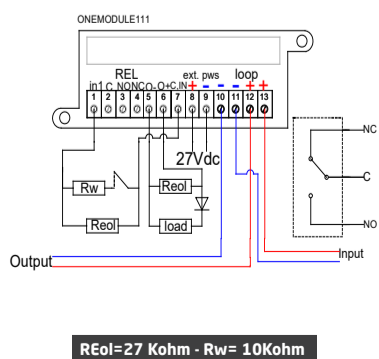
20063 Cernusco sul Naviglio (MI) - Via Brescia 24 G - Italy  
 Tel.: +39 02 27 201 352 - +39 02 25 92 795 | mail: info@teledata-i.com

www.TeledataOne.com

## ONEMODULE111\_AP

The **ONEMODULE111\_AP** is provided with 1 monitor input, 1 out from C, 1 monitor out and an external power supply.

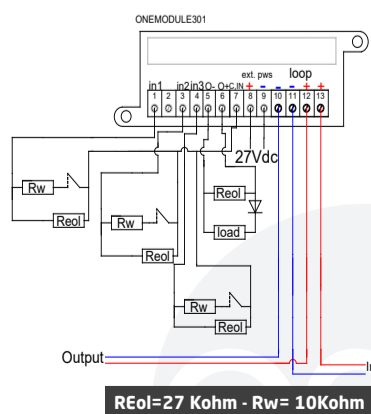
Terminal	Description
1	in1
2	C
3	NO
4	NC
5	O-
6	O+
7	C,IN
8	External power +
9	External power -
10	LOOP line OUT(-)
11	LOOP line IN(-)
12	LOOP line OUT(+)
13	LOOP line IN(+)



## ONEMODULE301\_AP

The **ONEMODULE301\_AP** is provided with: 3 monitor input, 1 out monitor and an external power supply

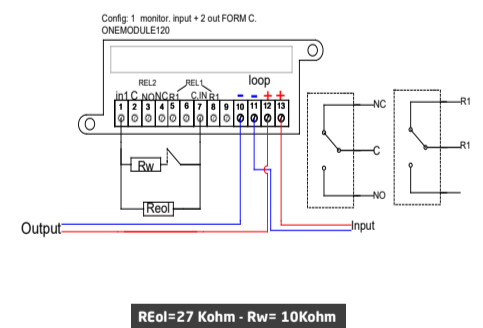
Terminal	Description
1	in1
2	Not used
3	In2
4	In3
5	O-
6	O+
7	C,IN
8	Extern power +
9	Extern power -
10	LOOP line OUT(-)
11	LOOP line IN(-)
12	LOOP line OUT(+)
13	LOOP line IN(+)



## ONEMODULE120\_AP

The **ONEMODULE120\_AP** is provided with: 1 monitor input and 2 out form C.

Terminal	Description
1	in1
2	C
3	NO
4	NC
5	R1
6	Not used
7	C,IN
8	R1
9	Not used
10	LOOP line OUT(-)
11	LOOP line IN(-)
12	LOOP line OUT(+)
13	LOOP line IN(+)



### Warnings And Limitations

Our devices use high quality electronic components and plastic materials that are highly resistant to environmental deterioration. However, after 10 years of continuous operation, it is advisable to replace the devices in order to minimize the risk of reduced performance caused by external factors. Ensure that this device is only used with compatible control panels. Detection systems must be checked, serviced and maintained on a regular basis to confirm correct operation.

Smoke sensors may respond differently to various kinds of smoke particles, thus application advice should be sought for special risks. Sensors cannot respond correctly if barriers exist between them and the fire location and may be affected by special environmental conditions. Refer to and follow national codes of practice and other internationally recognized fire engineering standards.

Appropriate risk assessment should be carried out initially to determine correct design criteria and updated periodically.

### Warranty

This warranty is invalidated by mechanical or electrical damage caused in the field by incorrect handling or usage.

Product must be returned via your authorized supplier for repair or replacement together with full information on any problem identified.

Full details on our warranty and product's returns policy can be obtained upon request



TELEDATA S.R.L.  
 Via Brescia 24 G  
 20063  
 Cernusco S.N.  
 Milano

EN 54-17  
 EN 54-18

ONEMODULE301\_AP  
 ONEMODULE111\_AP  
 ONEMODULE300\_AP  
 ONEMODULE120\_AP

0370-CPR-3642

### Teledata

20063 Cernusco sul Naviglio (MI) - Via Brescia 24 G - Italy  
 Tel.: +39 02 27 201 352 - +39 02 25 92 795 | mail: info@teledata-i.com

www.TeledataOne.com

### Teledata

20063 Cernusco sul Naviglio (MI) - Via Brescia 24 G - Italy  
 Tel.: +39 02 27 201 352 - +39 02 25 92 795 | mail: info@teledata-i.com

www.TeledataOne.com